

---

## Electrical Data

◇ Electrical data below represent stabilized values at Standard Test Conditions (STC)

Irradiance at the module level of 1,000W/m<sup>2</sup> with spectrum AM1.5 at Cell temperature of 25°C.

Model	GS-105A	GS-100A	GS-95A	GS-90A
Maximum Power[W]	105	100	95	90
Maximum power voltage [V]	77.2	75	73	71.4
Maximum power current [A]	1.36	1.33	1.30	1.26
Open circuit voltage [V]	102	101	100	99.5
Short circuit current [A]	1.68	1.65	1.62	1.60

◇ Maximum power may vary by ±5% and other electrical data may vary by ±10%.

## Mechanical Data

Dimension[mm]	L 1,414 × W 1,114 × T 37.5
Weight [Kg]	21
Connector	MC or MC equivalent
Cable length [mm]	1,000
Cable size [mm ]	2.5

## Temperature Coefficients

Maximum power (W)	- 0.20%/°C
Maximum power voltage (V)	- 0.32%/°C
Maximum power current (A)	+0.14%/°C
Open circuit voltage (V)	- 0.33%/°C
Short circuit current (A)	+0.09%/°C

## Installation limits

Maximum system voltage (V)	1000
Operating module temperature	-40°C to +85°C
Typical operation temperature	approx. 20°C to 25°C
Maximum load	2,400N/m <sup>2</sup> or 245 Kg/m <sup>2</sup>

## Quality Assurance

All products are strictly designed and manufactured according to IEC 61646 & 61730 in our ISO 9001 certified factory.

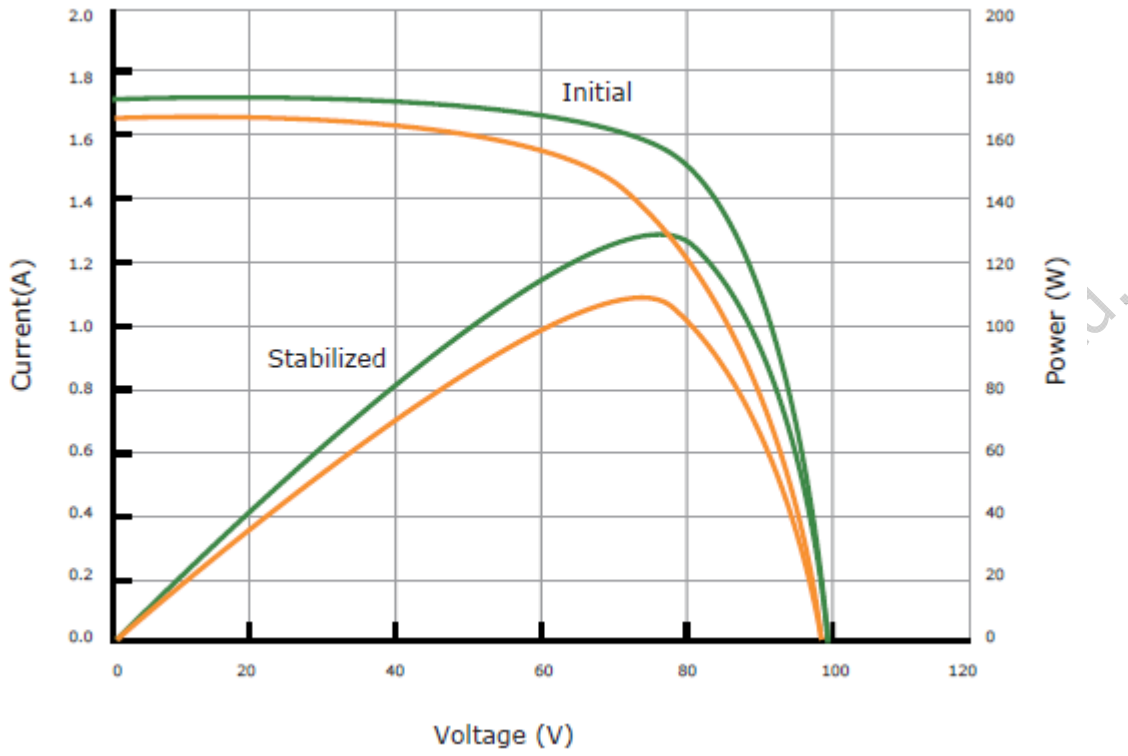
◇ **Product Warranty: Free from defects in materials and workmanship for 2 years.**

◇ **Power Warranty:**

**Maintain more than 90% of maximum power for 10 years,**

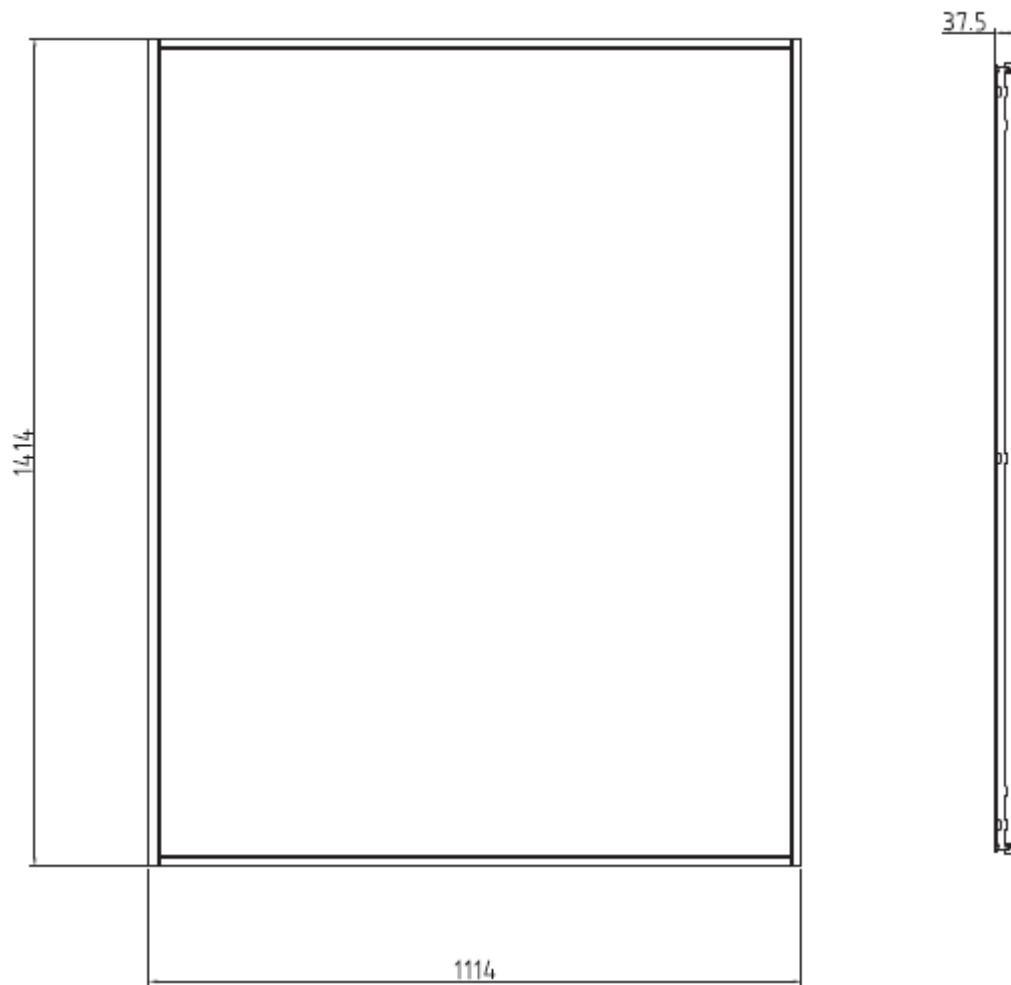
**Maintain more than 80% of maximum power for 20 years.**

# I-V Curves

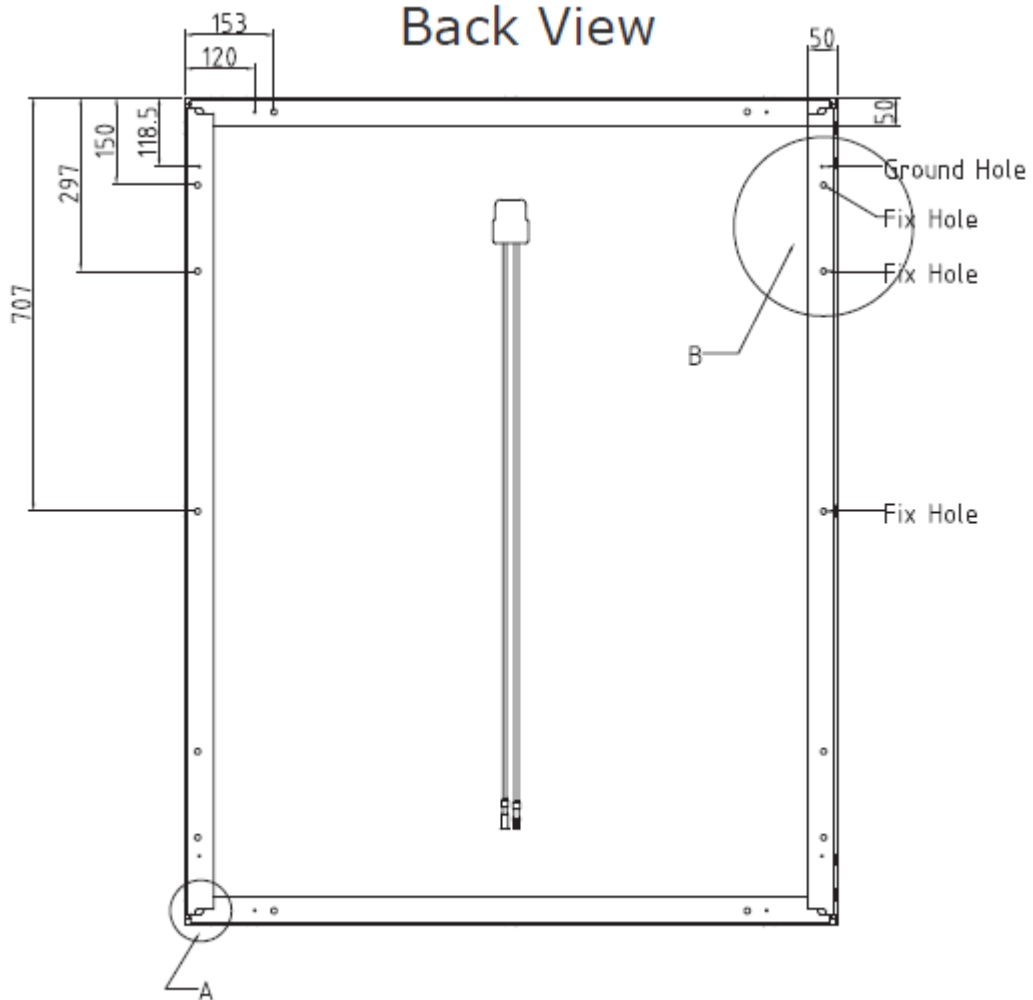


Wenzhou Golden Sun F...

# Front View



# Back View



---

**Wenzhou Golden Sun Photovoltaic Co., Ltd.**

Floor7, HuaMeng Business Plaza  
CheZhan DaDao,Wenzhou  
T +86-577-56999888 F +86-577-56999889

24 E YinHai Building,Longgang Ave.  
Longgang Town,Cangnan County  
T +86-577-68628000 F +86-577-68628002

E [info@goldensunpv.com](mailto:info@goldensunpv.com)  
<http://goldensunpv.com>

Wenzhou Golden Sun Photovoltaic Co., Ltd.